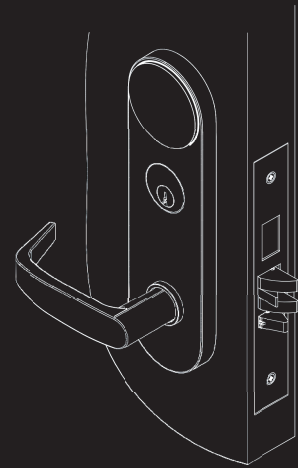


Latch M3

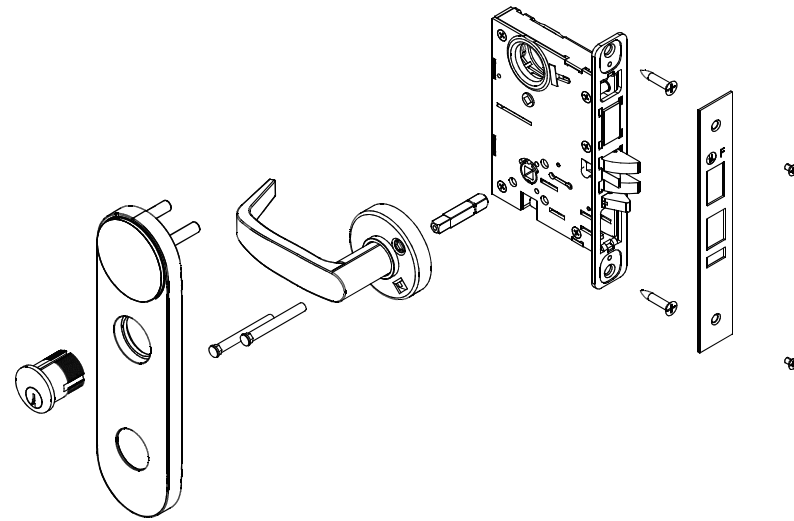
Installation Guide



LATCH

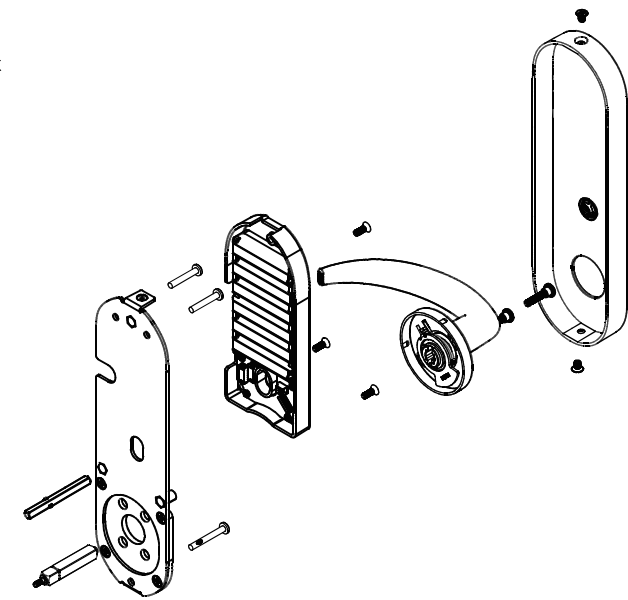
YW2626-D-1

INSIDE THE BOX



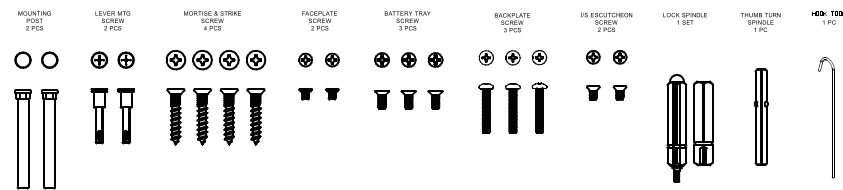
YW2626-D-1

INSIDE THE BOX



YW2626-D-1

SCREW PACK HARDWARE

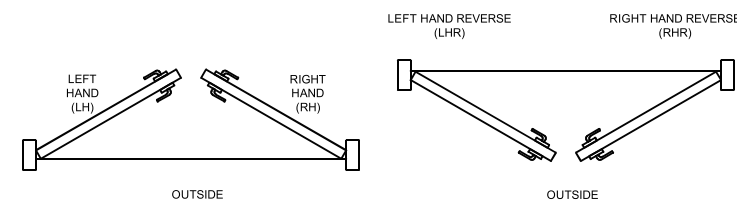


YW2626-D-1

HANDING OF THE LOCK

DOOR HANDING INFORMATION

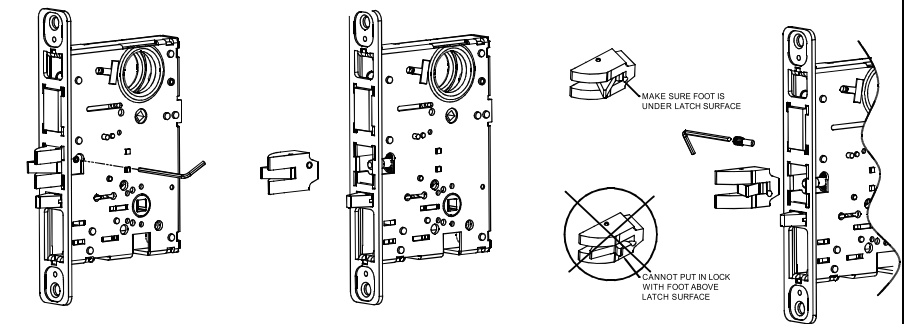
Left Hand (LH)- Hinges on the left and the door opens inward
 Right Hand (RH)- Hinges on the right and the door opens inward
 Left Hand Reverse (LHR)- Hinges on the left and the door opens outward
 Right Hand Reverse (RHR)- Hinges on the right and the door opens outward



YW2626-D-1

HANDING OF THE LOCK

The mortise lock body is handed. If it is necessary to change the handing of the mortise lock body follow these steps as needed. Changing the latch bolt position:



1. Remove set screw with allen wrench.

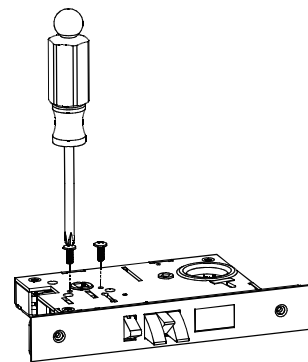
2. Pull latch bolt out of mortise

3. Rotate the latch bolt 180° and re-install into the mortise lock body (see diagram for foot position).

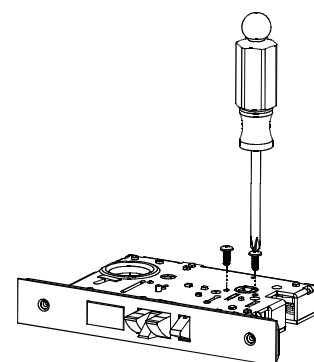
YW2626-D-1

HANDING OF THE LOCK

The mortise lock body is handed. If it is necessary to change the handing of the mortise lock body follow these steps as needed. Changing the locking side of the mortise lock body:



1. Lay mortise lock body on a flat surface, remove the 2 phillips head screws as shown.



2. Turn mortise lock body over to opposite side and re-install screws as shown.

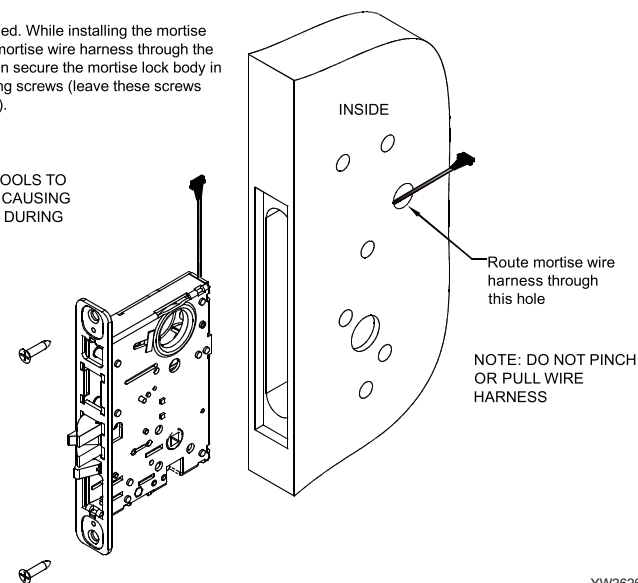
YW2626-D-1

STEP 1

Prepare door per template provided. While installing the mortise lock body in the cutout feed the mortise wire harness through the hole on the inside as shown. Then secure the mortise lock body in the door with the mortise mounting screws (leave these screws loose until you install the cylinder).

NOTE: DO NOT USE POWER TOOLS TO INSTALL THE LOCK TO AVOID CAUSING DAMAGE. LEAVE DOOR OPEN DURING INSTALLATION.

LEFT HAND (LH) MOUNTING SHOWN



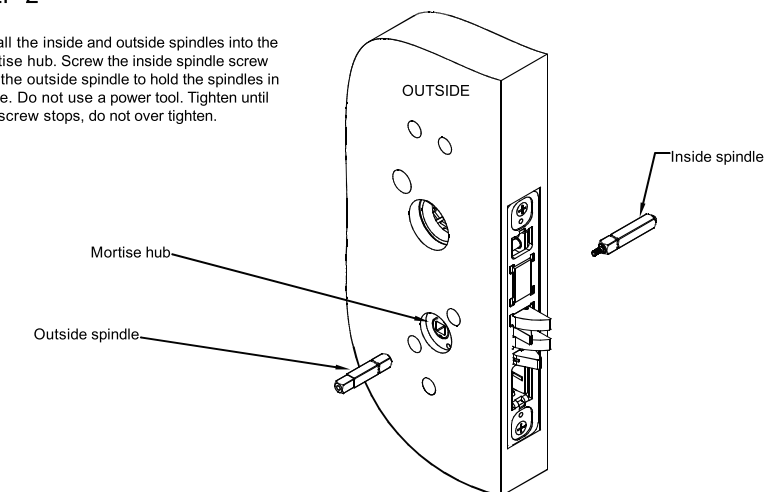
Route mortise wire harness through this hole

NOTE: DO NOT PINCH OR PULL WIRE HARNESS

YW2626-D-1

STEP 2

Install the inside and outside spindles into the mortise hub. Screw the inside spindle screw into the outside spindle to hold the spindles in place. Do not use a power tool. Tighten until the screw stops, do not over tighten.



Mortise hub

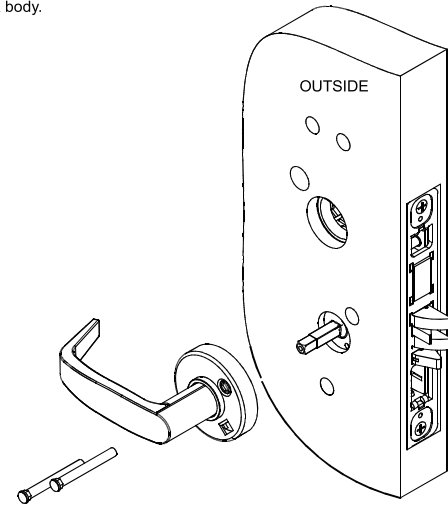
Outside spindle

Inside spindle

YW2626-D-1

STEP 3

Place outside lever trim on the outside- align with spindle in the mortise. Install the mounting posts through the holes in the lever trim assembly into the mortise lock body.



YW2626-D-1

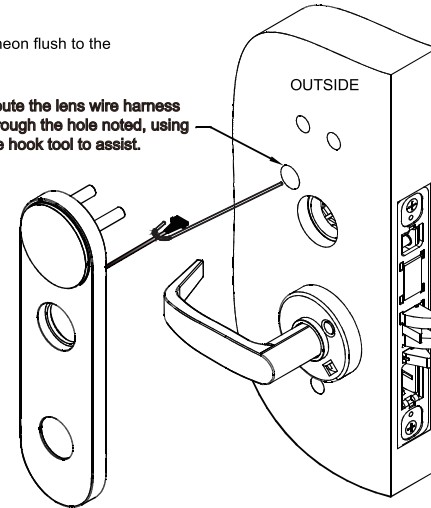
STEP 4

Guide outside escutcheon around the outside lever assembly.

Route the lens wire harness through the hole noted. Do not pull or pinch the wire harness.

Once the wire is through, press the outside escutcheon flush to the door face.

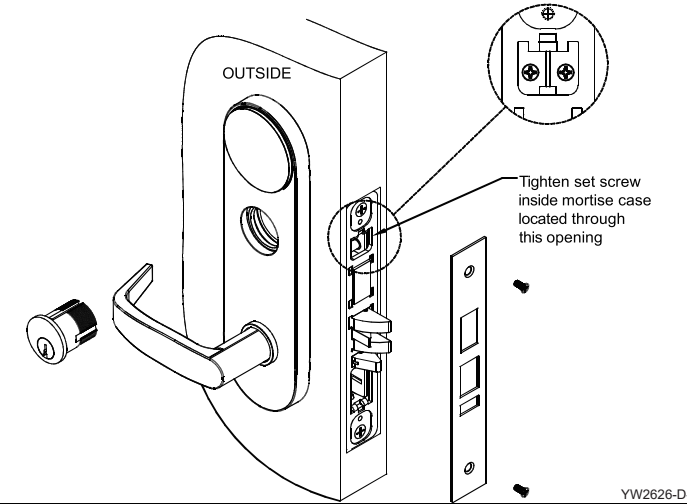
Route the lens wire harness through the hole noted, using the hook tool to assist.



YW2626-D-1

STEP 5

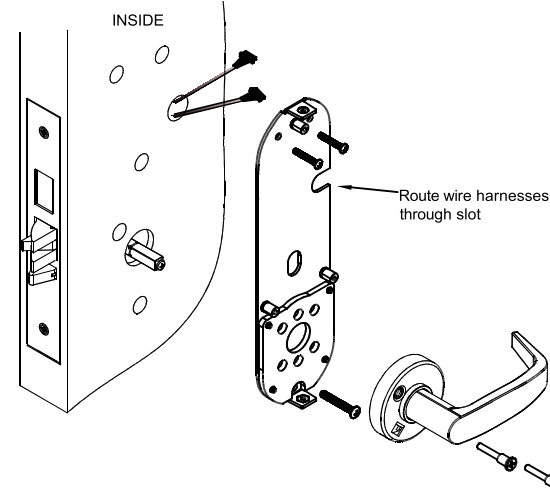
Thread cylinder into place. Note: Insert key approximately 1/2 way into the cylinder to thread cylinder in, do not use a screwdriver. Fix cylinder position by tightening the set screw located as noted below. Tighten the set screw on the exterior side. Tighten mortise mounting screws. Install face plate and secure with 2 screws.



YW2626-D-1

STEP 6

Position the backplate on the door- route the wire harnesses through the slot. Secure backplate with 2 screws at top and 1 at the bottom. Adjust outside escutcheon to center the cylinder before tightening. Place inside lever trim on the outside- align with spindle in the mortise. Install the mounting screws through the holes in the lever trim assembly into the mortise lock body.

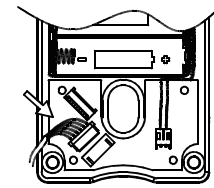


YW2626-D-1

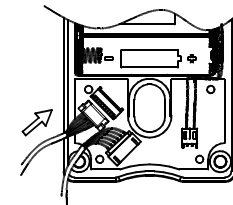
STEP 7

Plug in mortise wire harness and lens wire harness into the circuit board on the back of the battery tray. Make sure both connectors are seated.

Plug in wire harness from mortise 1st, direction indicated. Ensure connector is seated.



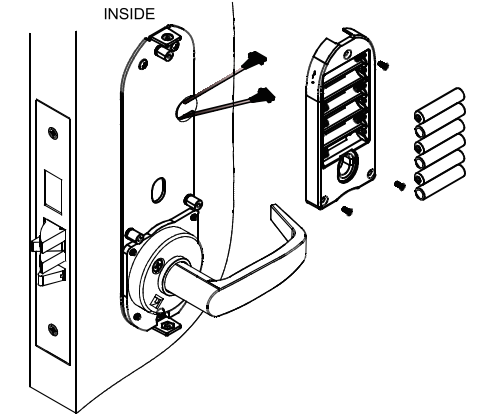
Plug in wire harness from lens 2nd, direction indicated. Ensure connector is seated.



YW2626-D-1

STEP 8

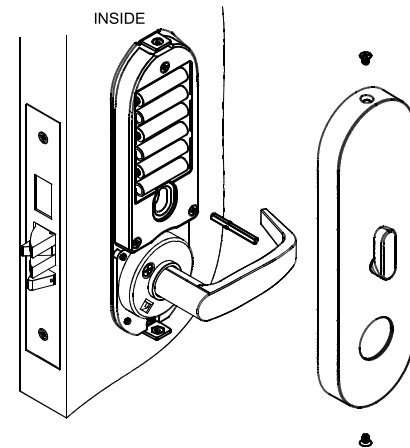
Position battery tray over backplate- position wire harnesses to the outside edge of the battery tray to avoid pinching the harnesses. Place battery tray flush to the backplate and secure with 3 screws. Insert 6 AA alkaline batteries into the tray, ensure orientation is correct.



YW2626-D-1

STEP 9

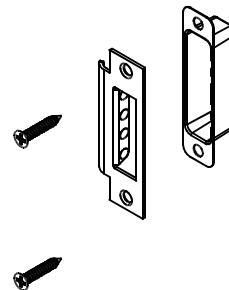
Insert thumb turn spindle into hub on the mortise as shown. Guide inside escutcheon around lever trim, make sure you do not pinch the wire harnesses on the side of the battery tray. Place inside escutcheon flush to the door and secure with 2 screws. Position of thumb turn to be as shown.



YW2626-D-1

STEP 10

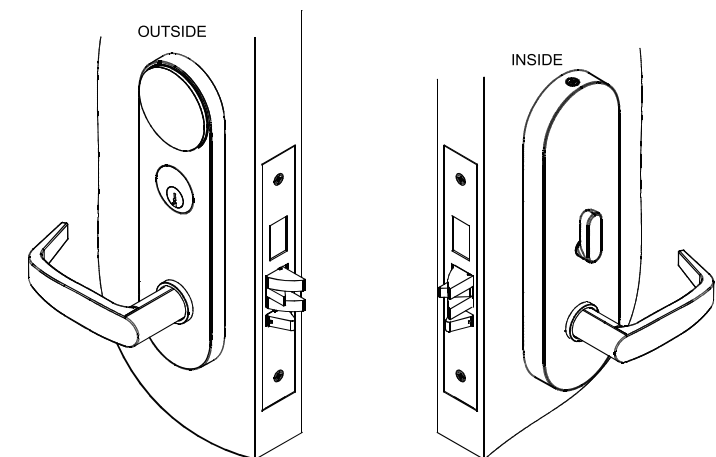
Prepare strike cutout per template. Install strike and dust box.



YW2626-D-1

STEP 11

Check operation of lock before shutting door.



YW2626-D-1