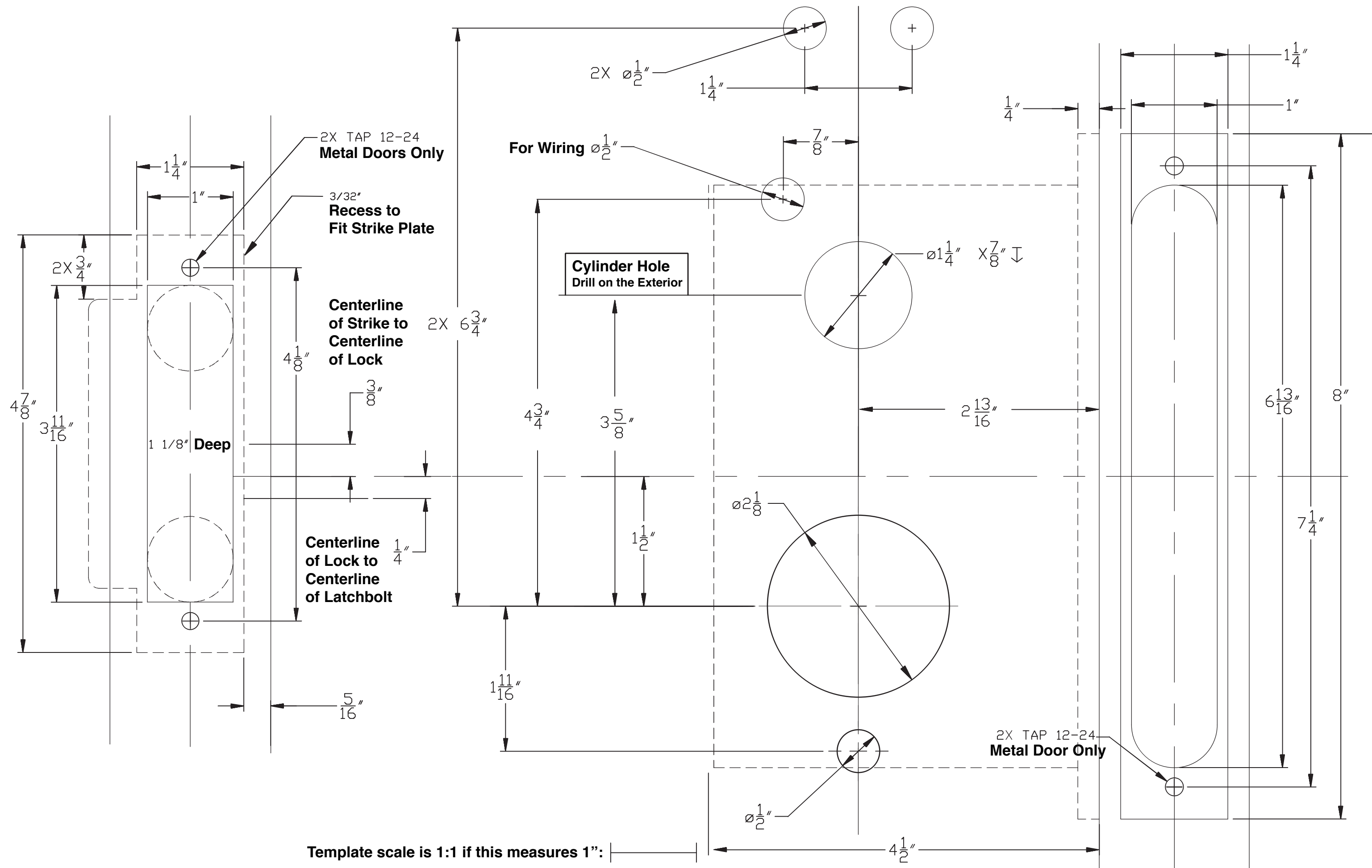


Latch Cutsheet Template

Left Handed Exterior



LATCH[®]

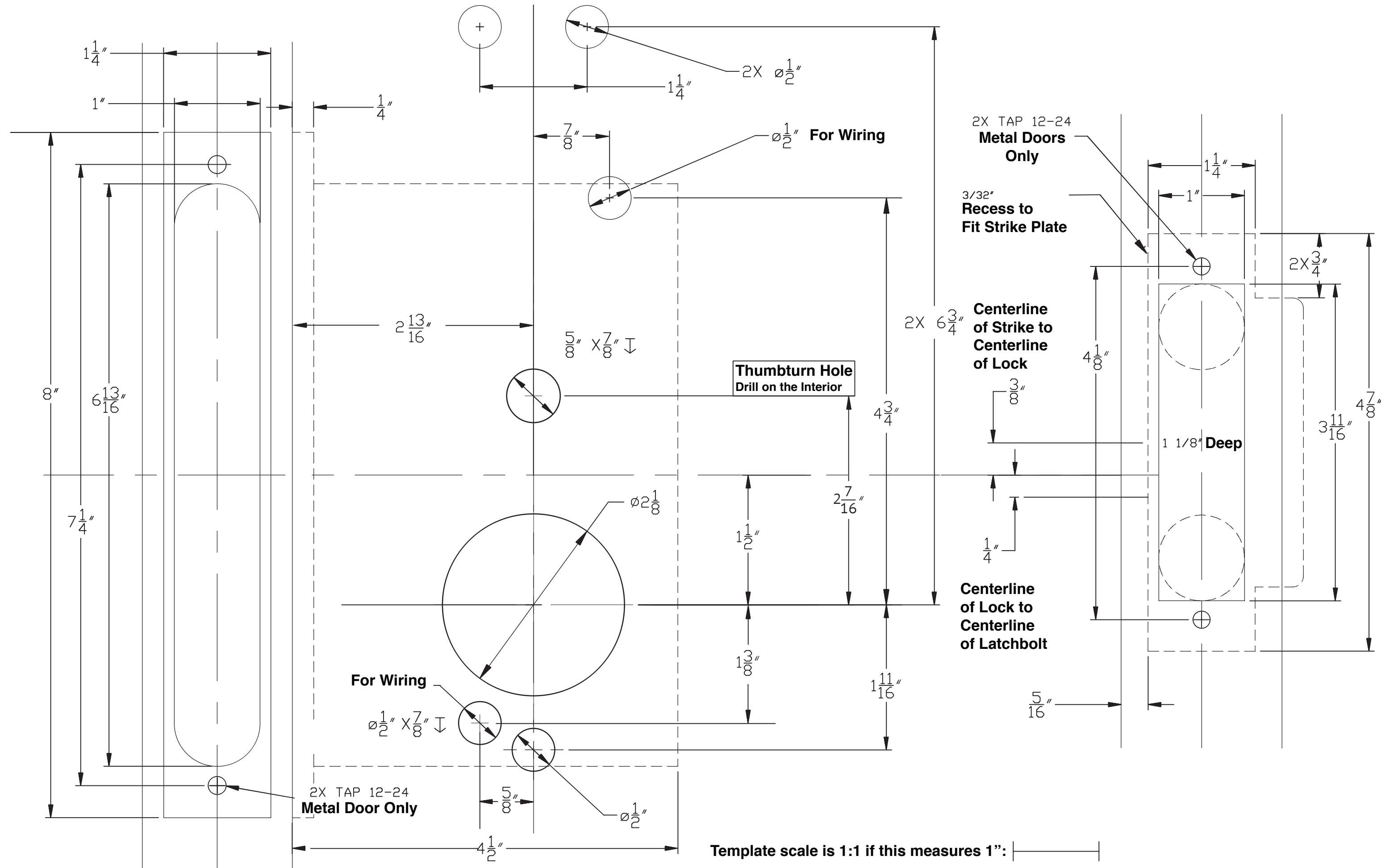
RESPONSIBILITY

DOOR AND FRAME MANUFACTURERS ARE RESPONSIBLE FOR PROVIDING ADEQUATE CONSTRUCTION OR REINFORCEMENTS FOR PROPER INSTALLATION OF HARDWARE SHOWN. ALL ARCHITECTURAL BUILDERS HARDWARE MUST BE INSTALLED ON PROPERTY REINFORCED DOORS AND FRAMES, REGARDLESS OF THE TYPE, MATERIAL, OR METHOD OF CONSTRUCTION.

03.09.2022

Latch Cutsheet Template

Left Handed Interior



LATCH[®]

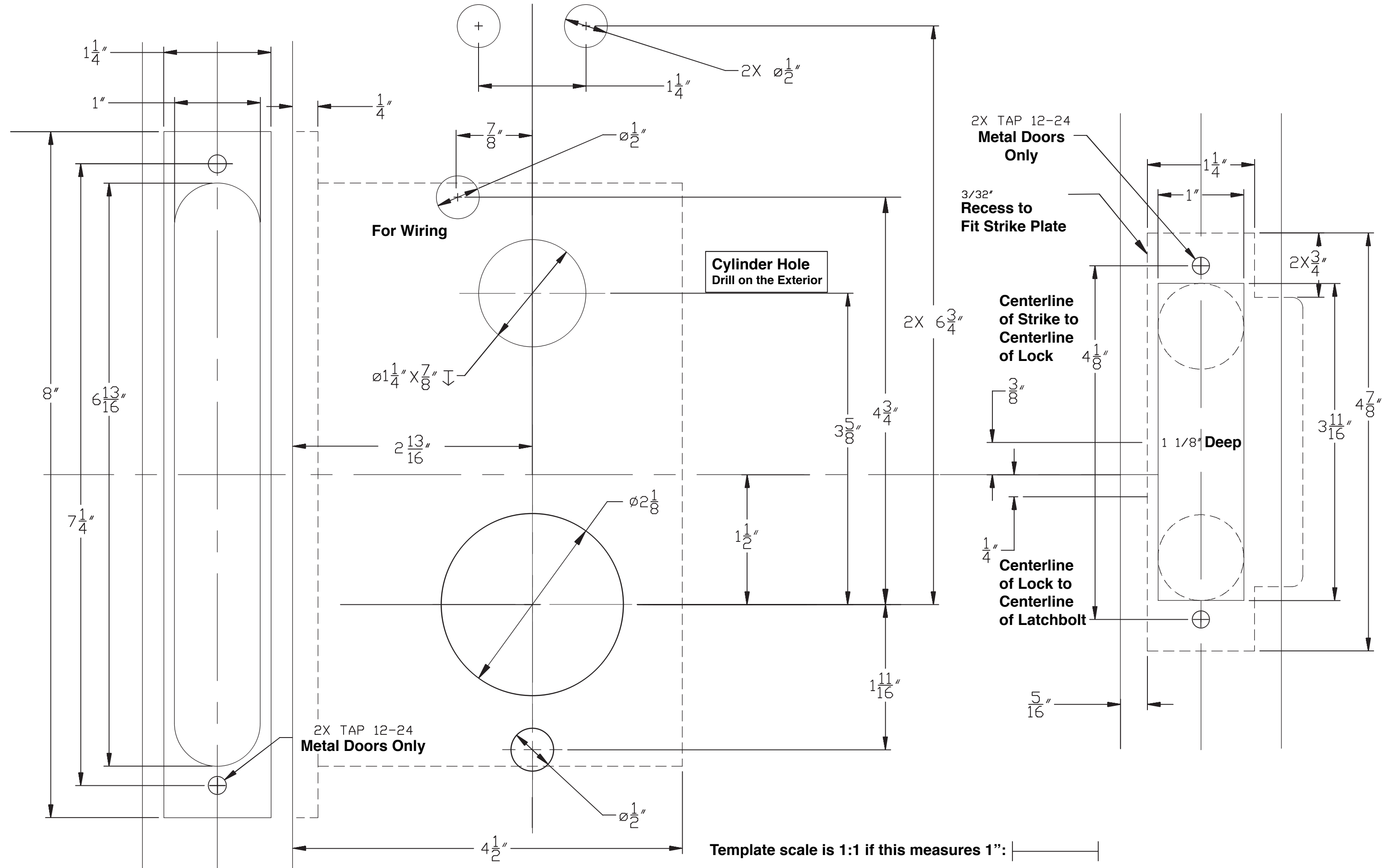
RESPONSIBILITY

DOOR AND FRAME MANUFACTURERS ARE RESPONSIBLE FOR PROVIDING ADEQUATE CONSTRUCTION OR REINFORCEMENTS FOR PROPER INSTALLATION OF HARDWARE SHOWN. ALL ARCHITECTURAL BUILDERS HARDWARE MUST BE INSTALLED ON PROPERTY REINFORCED DOORS AND FRAMES, REGARDLESS OF THE TYPE, MATERIAL, OR METHOD OF CONSTRUCTION.

03.09.2022

Latch Cutsheet Template

Right Handed Exterior



LATCH

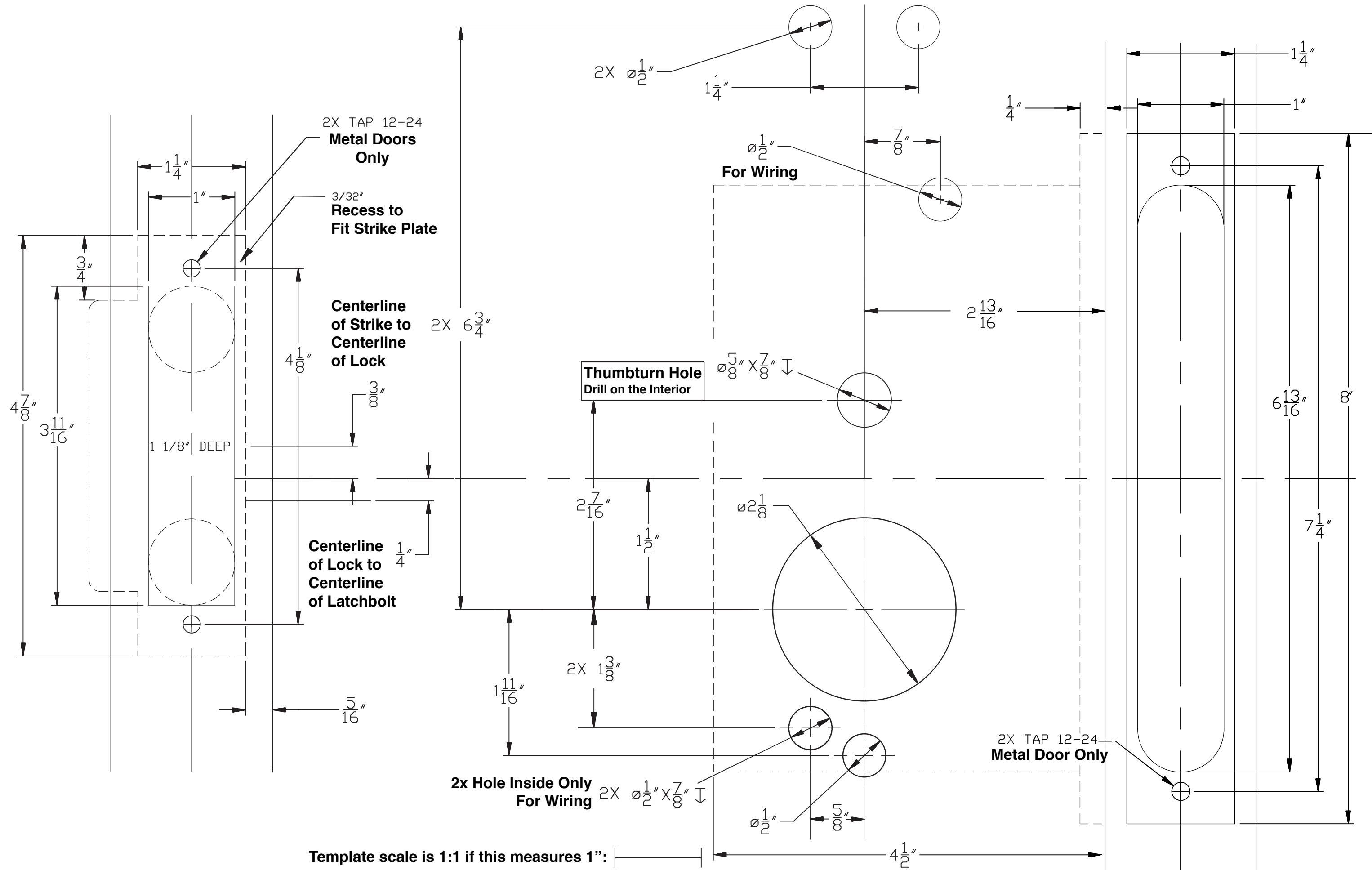
RESPONSIBILITY

DOOR AND FRAME MANUFACTURERS ARE RESPONSIBLE FOR PROVIDING ADEQUATE CONSTRUCTION OR REINFORCEMENTS FOR PROPER INSTALLATION OF HARDWARE SHOWN. ALL ARCHITECTURAL BUILDERS HARDWARE MUST BE INSTALLED ON PROPERTY REINFORCED DOORS AND FRAMES, REGARDLESS OF THE TYPE, MATERIAL, OR METHOD OF CONSTRUCTION.

03.09.2022

Latch Cutsheet Template

Right Handed Interior



LATCH[™]

RESPONSIBILITY

DOOR AND FRAME MANUFACTURERS ARE RESPONSIBLE FOR PROVIDING ADEQUATE CONSTRUCTION OR REINFORCEMENTS FOR PROPER INSTALLATION OF HARDWARE SHOWN. ALL ARCHITECTURAL BUILDERS HARDWARE MUST BE INSTALLED ON PROPERTY REINFORCED DOORS AND FRAMES, REGARDLESS OF THE TYPE, MATERIAL, OR METHOD OF CONSTRUCTION.

03.09.2022