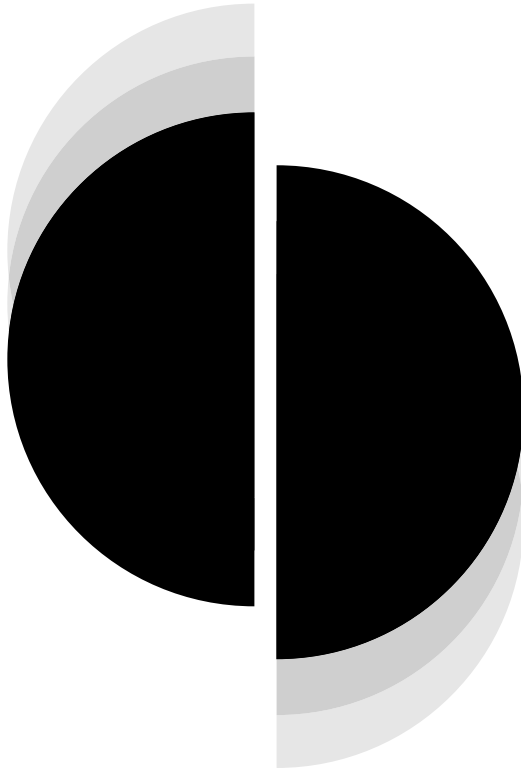


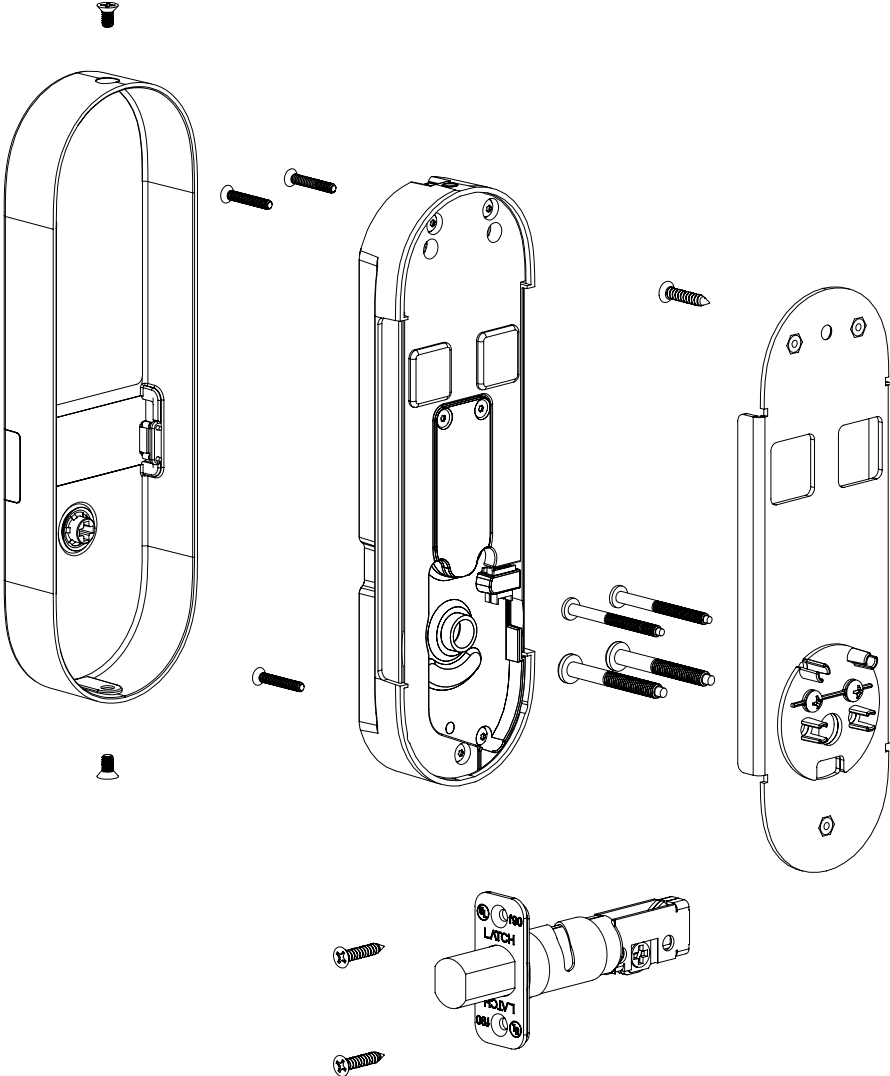
# INSTALLATION GUIDE

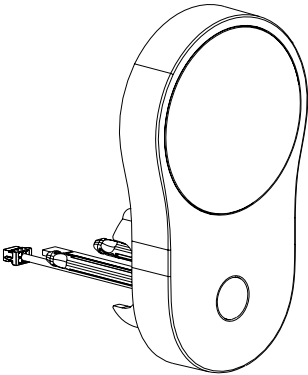
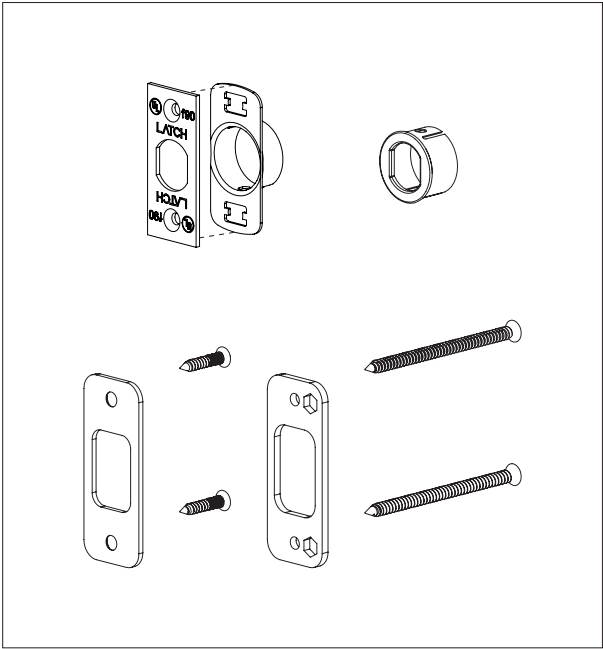


**C** SERIES

LATCH

# Inside the Box





# Screws



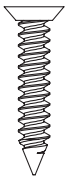
**X 2**



**X 3**



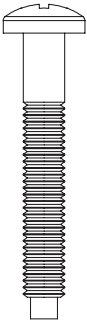
**X 4**



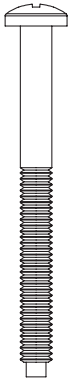
**X 1**



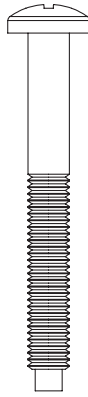
X 2



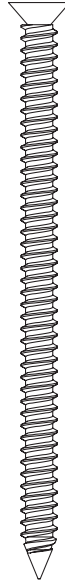
X 2



X 2



X 2



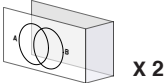
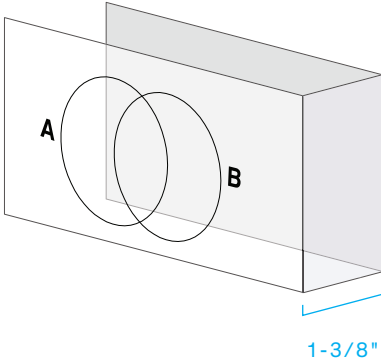
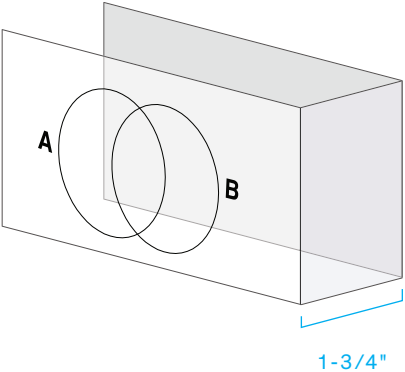
X 2



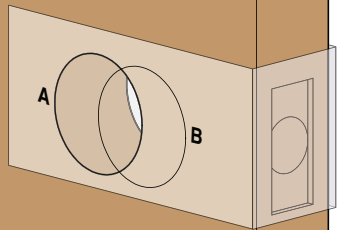
# PREPARATION

# Measure

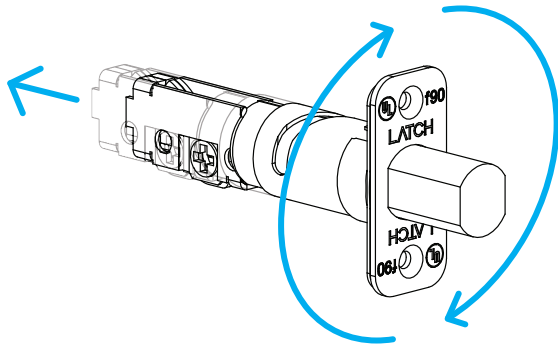
Select the correct cutsheet according to the door thickness. Identify if your door has backset A or backset B with the cutsheet.



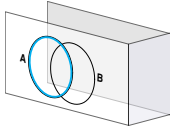




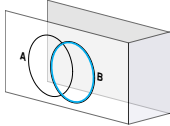
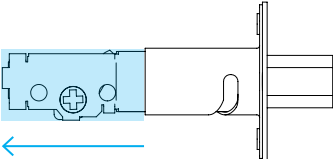
The **deadbolt** extends or retracts by spinning the body of the deadbolt 180°.



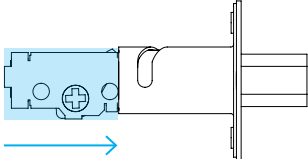
Extend or retract the body of the deadbolt depending on the backset type.



**A) EXTEND**

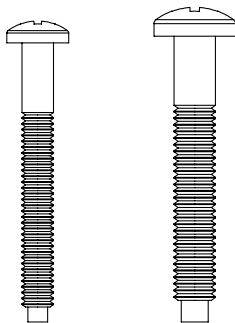


**B) RETRACT**

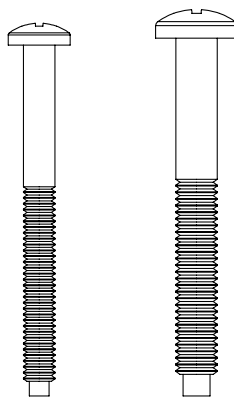


Choose the respective mounting screws according to your door thickness.

1-3/8"

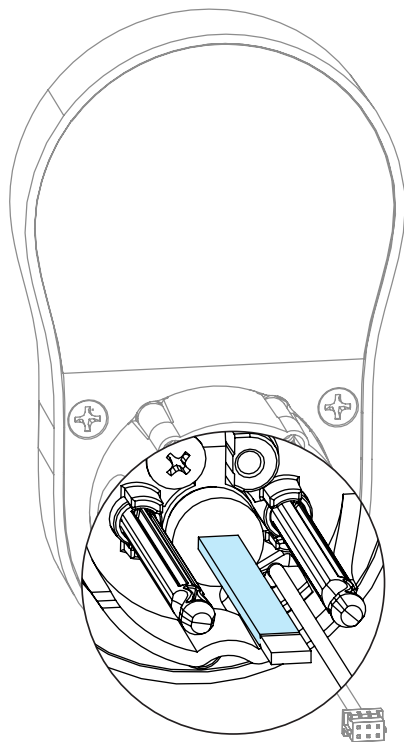


1-3/4"



## If you have a 1-3/8" thick door

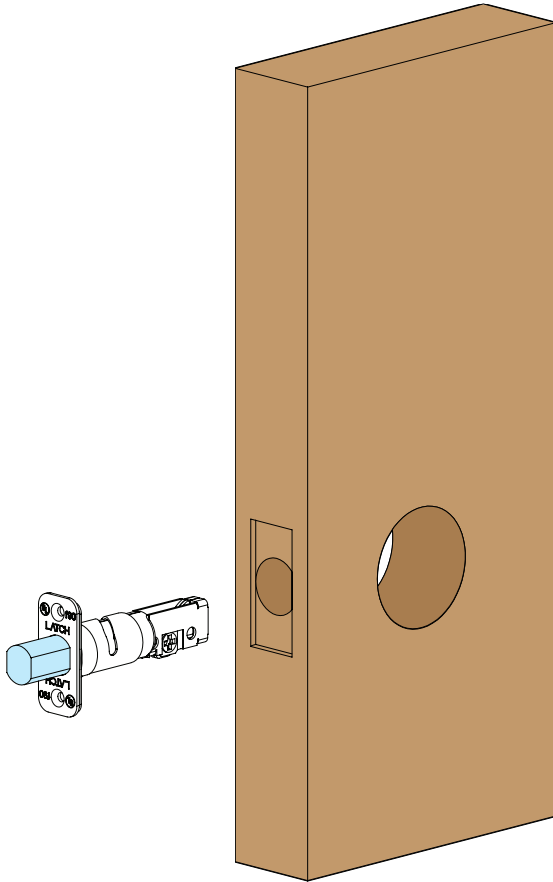
Break the tailpiece to shorten it.



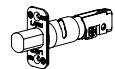


# INSTALLATION

# 1 Insert the deadbolt.



\* Keep the deadbolt out throughout the installation.

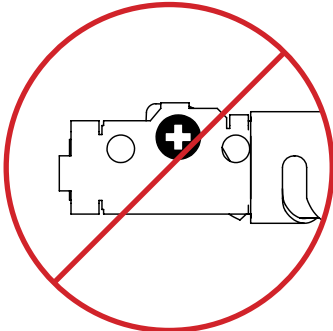
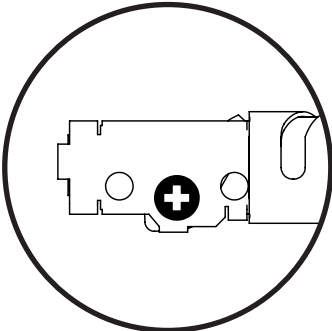


X 1



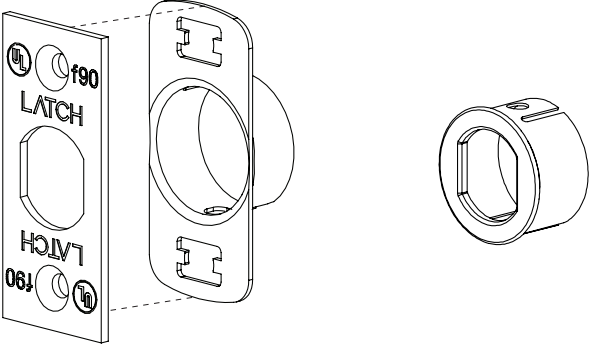
**Make sure that**

The deadbolt hub is at the bottom.



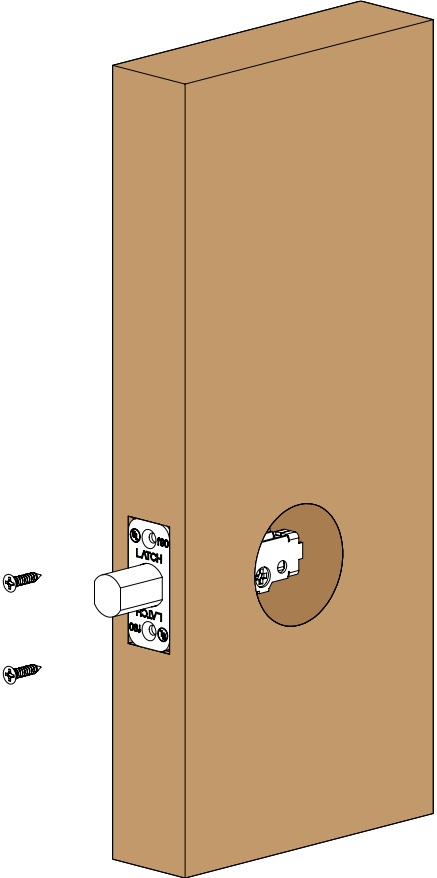
# Faceplate options

If your door has a different shaped faceplate, select one of the other faceplate options.



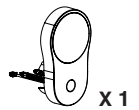
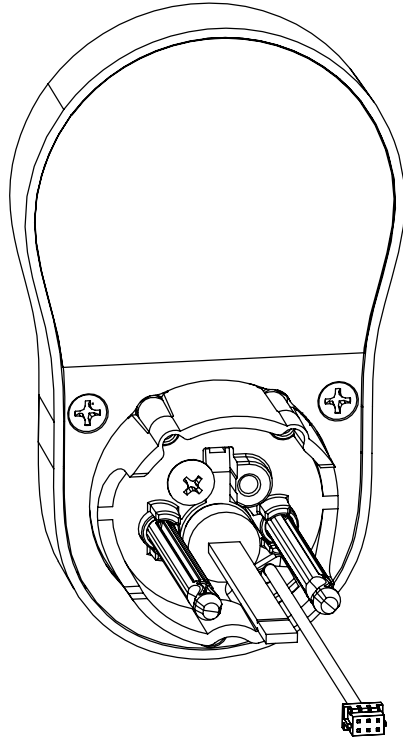
# 2

Screw the deadbolt in.



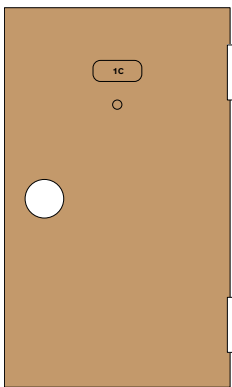
⤴ x 2

# 3 Prepare the outer trim.

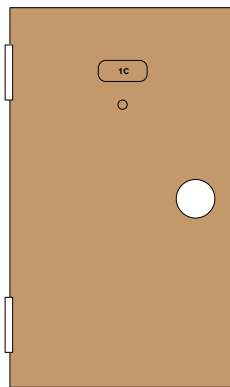


## Make sure that

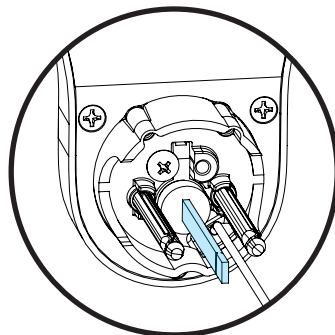
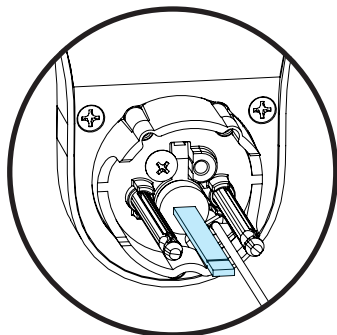
You rotate the tailpiece to the respective position.



Right-handed door  
Horizontal tailpiece



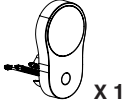
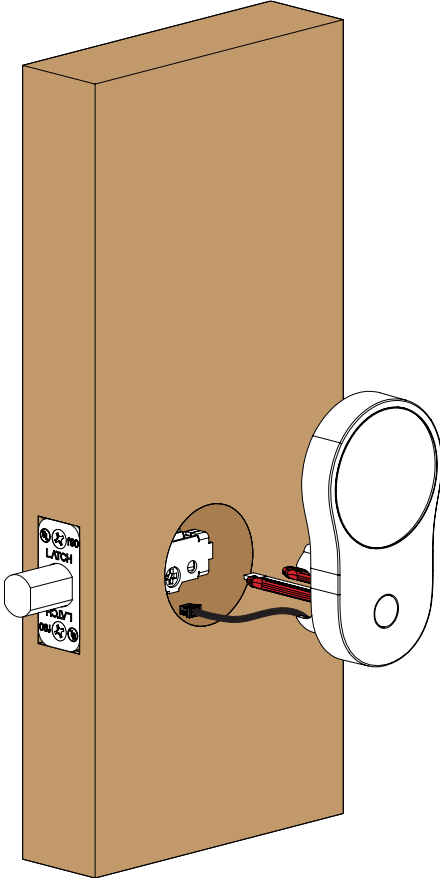
Left-handed door  
Vertical tailpiece



\* Keep the tailpiece in the desired position throughout the installation.

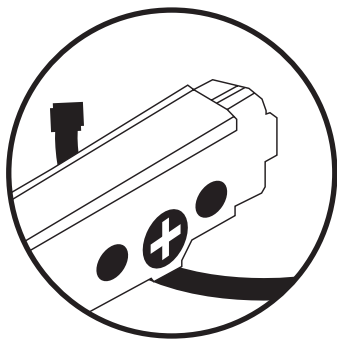
4

Insert the outer trim into the deadbolt.

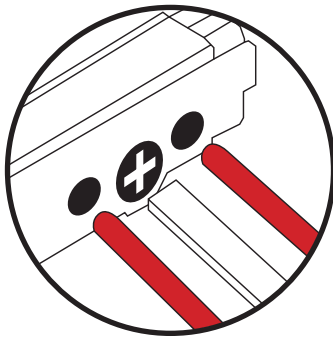


## Make sure that

1 The cable routes under the deadbolt.



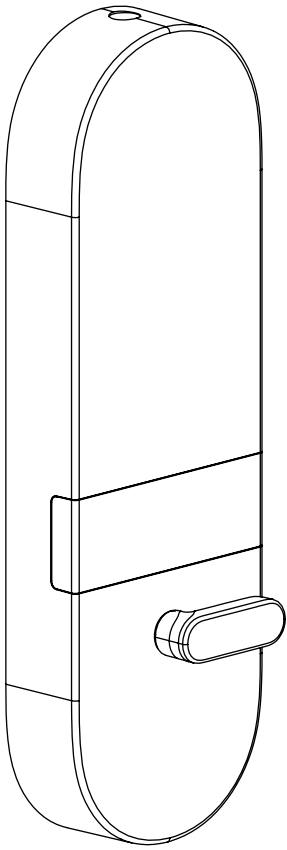
2 Each post goes into the respective hole.



Remember to have the tailpiece in the vertical position for a left-handed door.

5

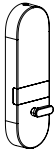
Separate the inner trim.



X 1

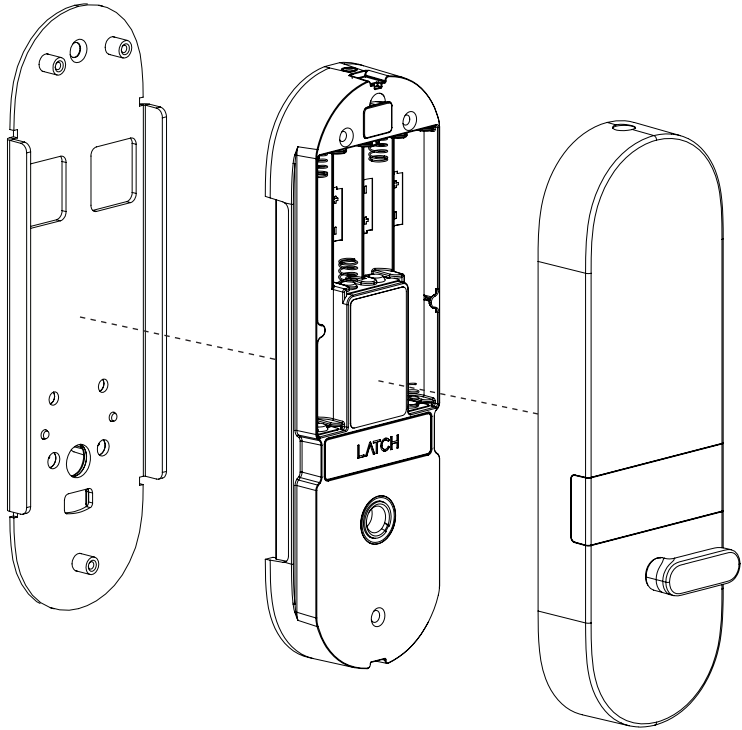


X 1

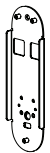
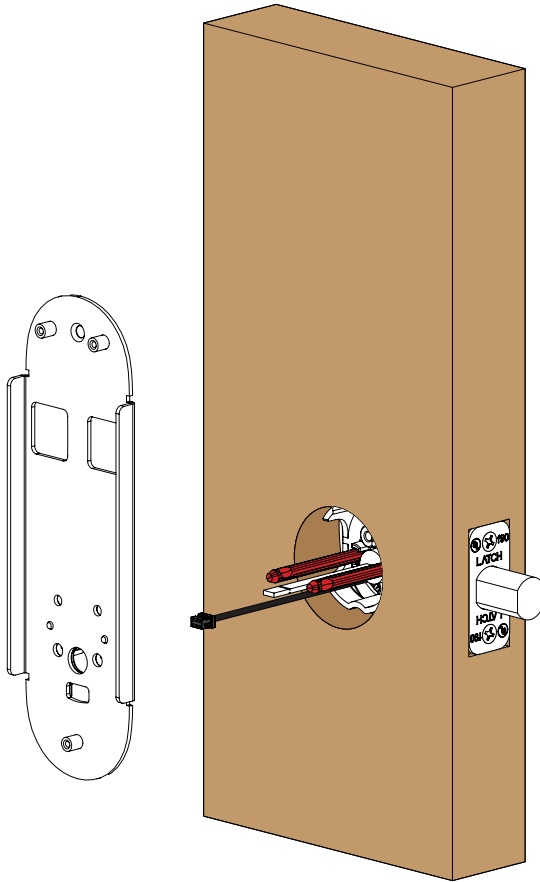


X 1





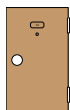
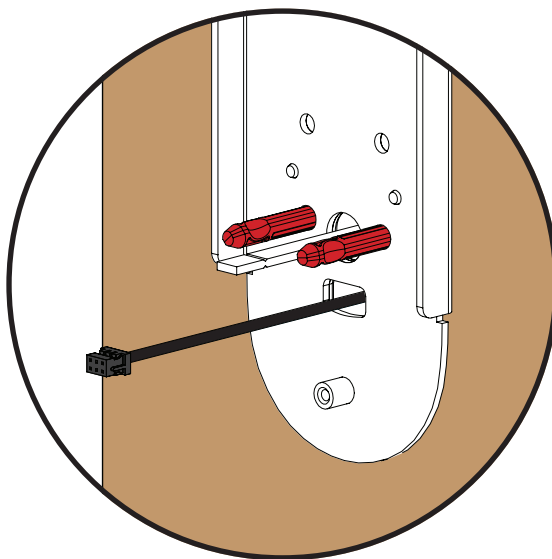
# 6 Place the mounting plate.



X 1

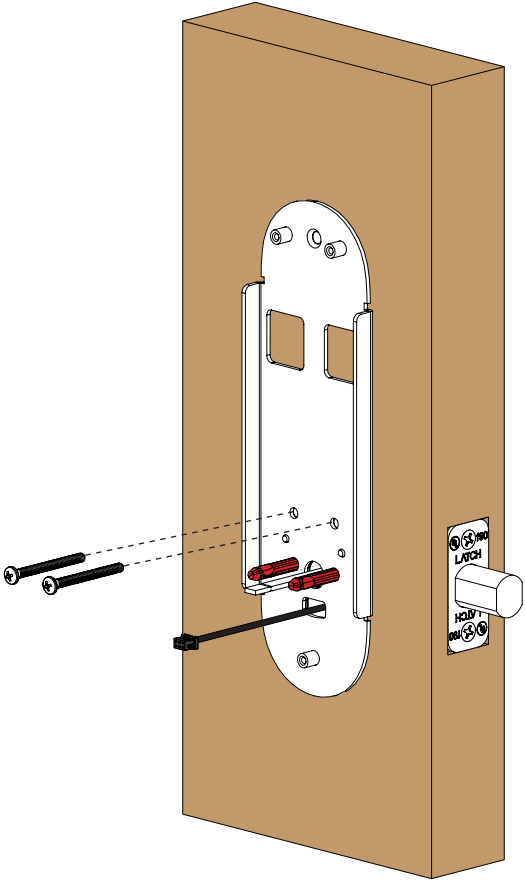
## Make sure that

The cable and each post goes into the respective hole.



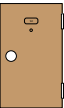
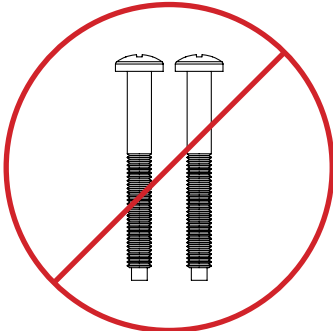
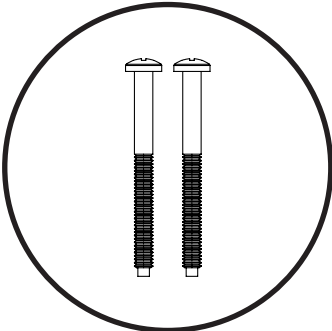
This example is for a right-handed door.

# 7 Screw the mounting plate in.



# Make sure that

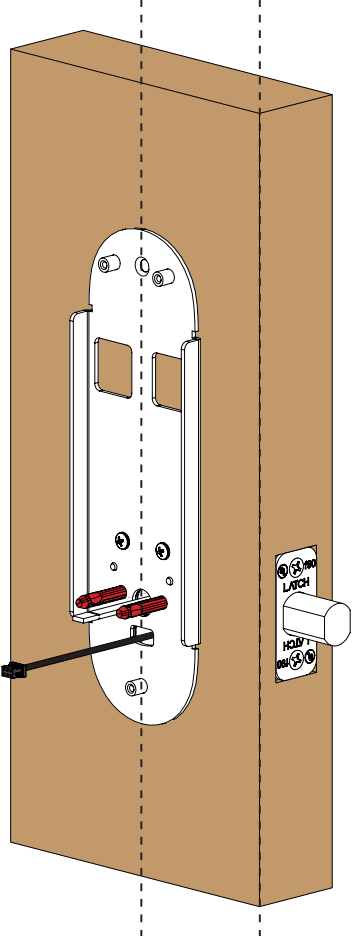
You use the thinner screws in this step.



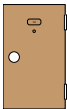
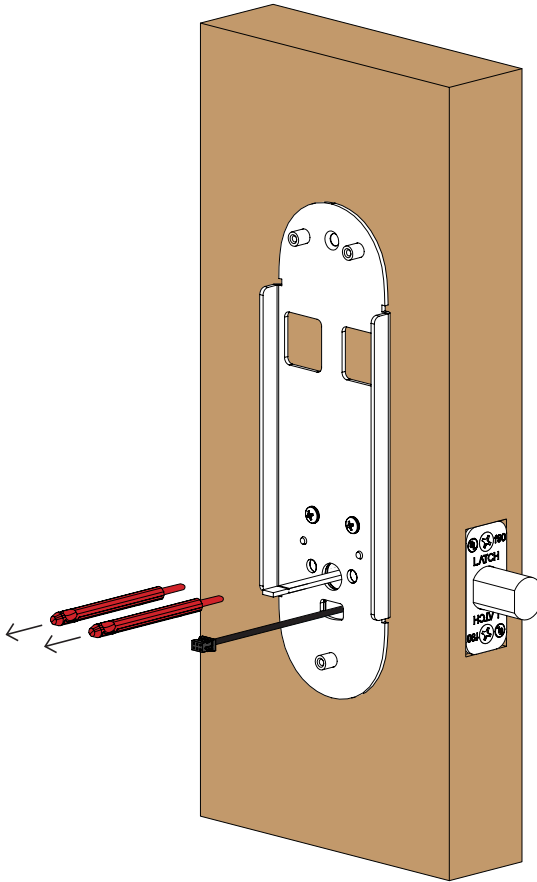
This example is for a right-handed door.

8

Make sure the mounting plate is straight.



# 9 Discard the red alignment posts.



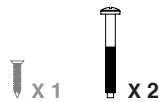
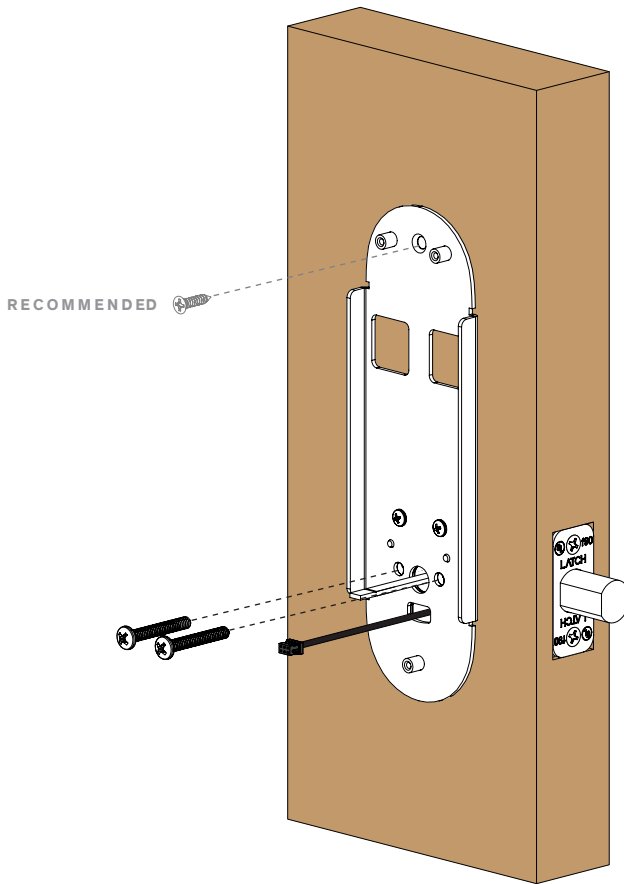
This example is for a right-handed door.



ABS

# 10

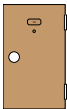
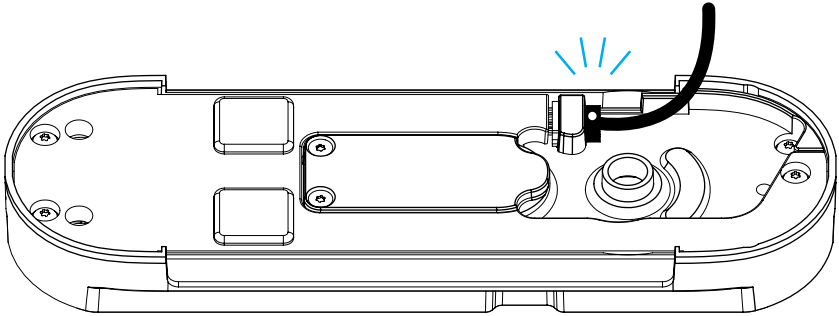
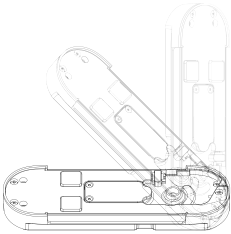
Screw the mounting plate's remaining 3 screws in.





# 11

Tilt the control module and connect the cable.

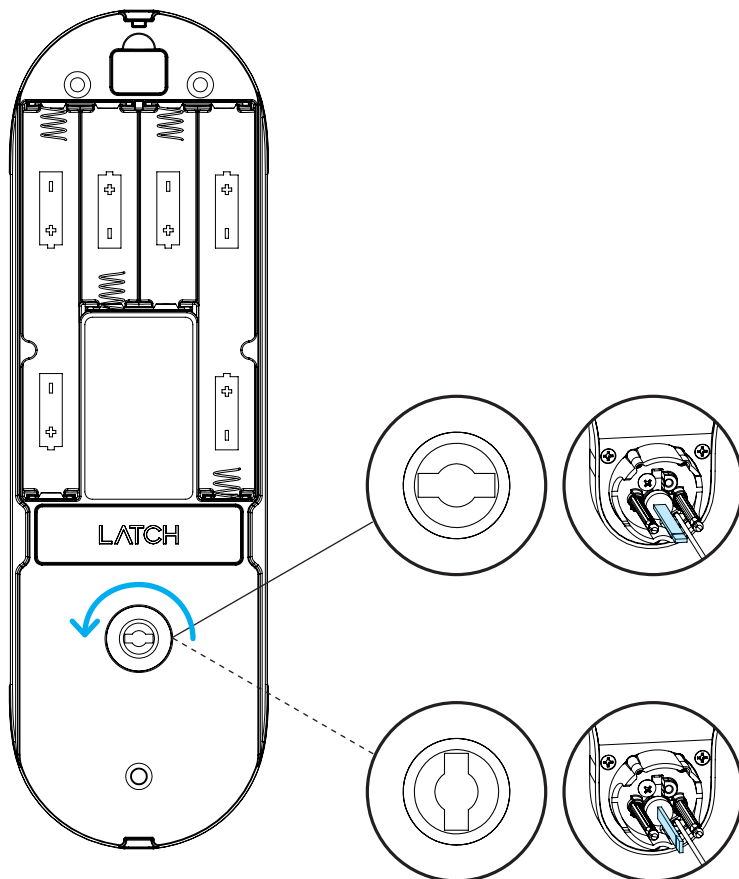


This example is for a right-handed door.



X 1

# 12 Spin the control module hub to the respective position.



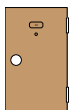
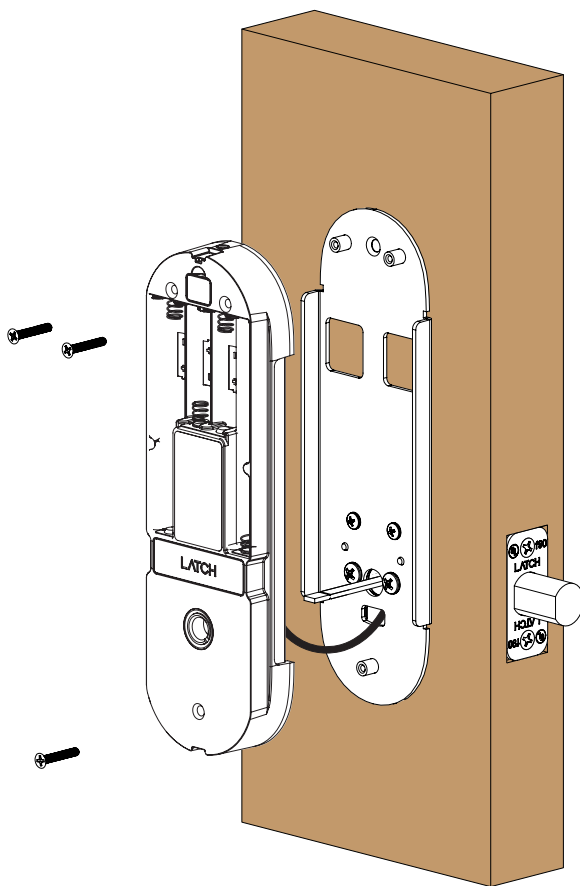
\* Keep the tailpiece in the desired position.



X 1

# 13

Screw the control module in.

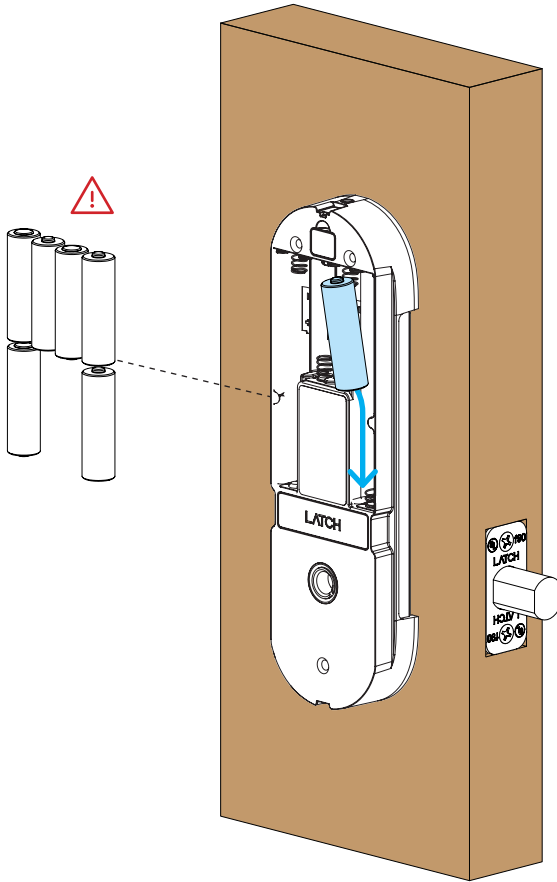


This example is for a right-handed door.

**I** x 3

# 14

Insert 6 AA non-rechargeable batteries.



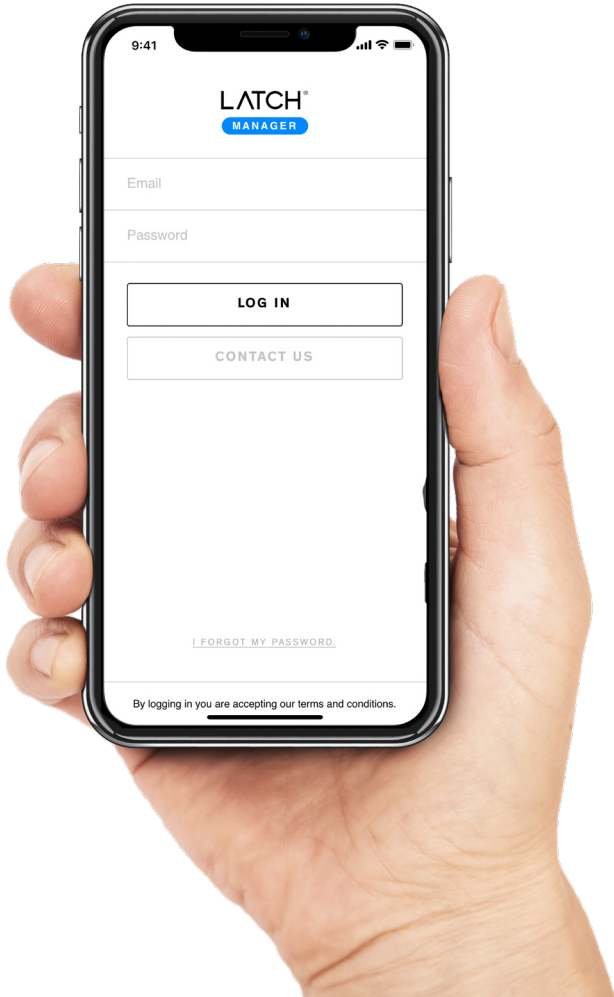
**WARNING**

Only use non-rechargeable alkaline AA batteries.  
Incorrect battery orientation can cause damage.



# 15

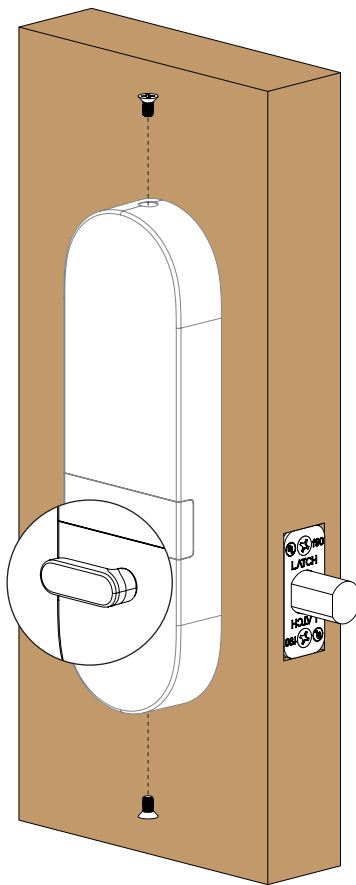
Download Latch Manager App and configure.



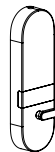
# 16

Align thumbturn, place and secure the inner trim.

Thumbturn should face away from door edge.



☐ X 2



X 1

## FCC Compliance Statement

### (A) Federal Communications Commission Statement

This device complies with FCC Rules Part 15. Operation is subject to the following two conditions:

- This device may not cause harmful interference.
- This device must accept any interference received, including interference that may cause undesired operation.

(B) This equipment has been tested and found to comply with the limits for a class B digital device, pursuant to Part 15 of the Federal Communications Commission (FCC) rules. These limits are designed to provide reasonable protection against harmful interference in a residential installation. This equipment generates, uses, and can radiate radio frequency energy and, if not installed and used in accordance with the instructions, may cause harmful interference to radio communications. However, there is no guarantee that interference will not occur in a particular installation. If this equipment causes harmful interference to radio or television reception, which can be determined by turning the equipment off and on, the user is encouraged to try to correct the interference by doing one or more of the following measures:

- Reorient or relocate the receiving antenna.
- Increase the separation between the equipment and receiver.
- Connect the equipment into an outlet on a circuit different from that to which the receiver is connected.
- Consult the dealer or an experienced radio/TV technician for help

### (C) Radiation Exposure Statement:

This equipment must be installed and operated in accordance with provided instructions and the antenna(s) used for this transmitter must be installed to provide a separation distance of at least 20 cm from all persons and must not be co-located or operating in conjunction with any other antenna or transmitter.

## Industry Canada Statement

### (A) Radio Frequency (RF) Exposure Information

The radiated output power of the Wireless Device is below the Industry Canada (IC) radio frequency exposure limits. The Wireless Device should be used in such a manner such that the potential for human contact during normal operation is minimized. This device has been evaluated for and shown compliant with the IC Specific Absorption Rate ("SAR") limits when installed in specific host products operated in portable exposure conditions.

Canada's REL (Radio Equipment List) can be found at the following web address:

<http://www.ic.gc.ca/app/sit/retel/srch/nwRdSrch.do?lang=eng>

Additional Canadian information on RF exposure also can be found at the following web address:

<http://www.ic.gc.ca/eic/site/smt-gst.nsf/eng/sf08792.html>

### (B) Canada, avis d'Industrie Canada (IC)

Cet appareil numérique de classe B est conforme aux normes canadiennes ICES-003 et RSS-247.

Son fonctionnement est soumis aux deux conditions suivantes: (1) cet appareil ne doit pas causer d'interférence et (2) cet appareil doit accepter toute interférence, notamment les interférences qui peuvent affecter son fonctionnement.

L'identifiant

Informations concernant l'exposition aux fréquences radio (RF)

La puissance de sortie émise par cet appareil sans fil est inférieure à la limite d'exposition aux fréquences radio d'Industrie Canada (IC). Utilisez l'appareil sans fil de façon à minimiser les contacts humains lors du fonctionnement normal.

Ce périphérique a été évalué et démontré conforme aux limites SAR (Specific Absorption Rate – Taux d'absorption spécifique) d' IC lorsqu'il est installé dans des produits hôtes particuliers qui fonctionnent dans des conditions d'exposition à des appareils portables.

Ce périphérique est homologué pour l'utilisation au Canada. Pour consulter l'entrée correspondant à l'appareil dans la liste d'équipement radio (REL - Radio Equipment List) d'Industrie Canada rendezvous sur:

<http://www.ic.gc.ca/app/sit/retel/srch/nwRdSrch.do?lang=eng>

Pour des informations supplémentaires concernant l'exposition aux RF au Canada rendez-vous sur :

<http://www.ic.gc.ca/eic/site/smt-gst.nsf/eng/sf08792.html>

# LATCH

Document Number: 770-00004 v1.5  
Revised On: 05/07/2020